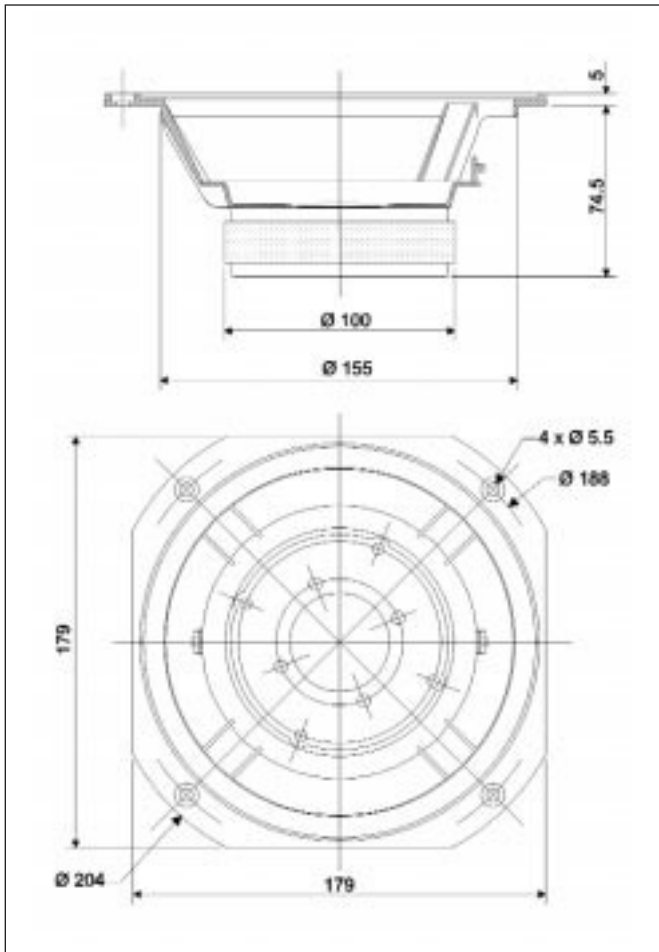


## AUDIOPHILE SERIES

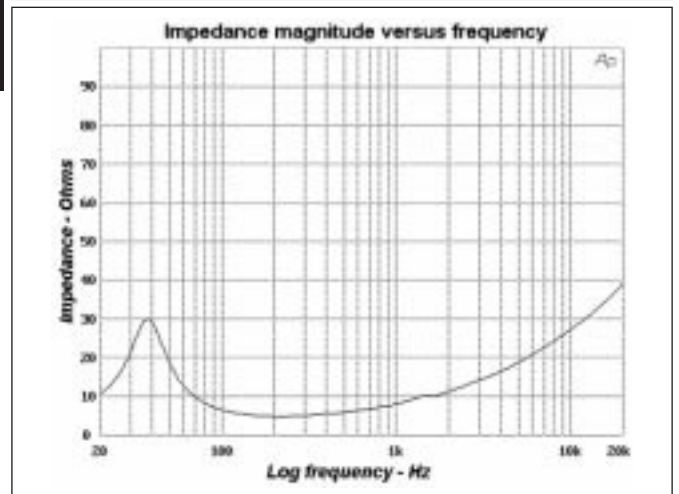
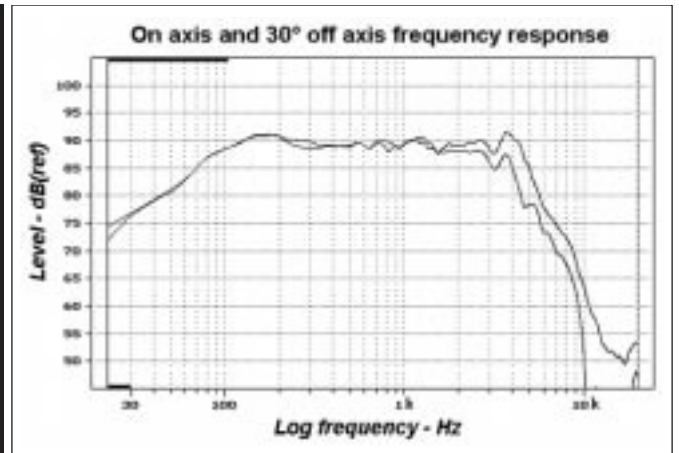
- Thick zamak alloy metal cast frame
- Straight profile Polyglass cone, rubber surround
- 25 mm diameter dual voice coil, black aluminium former
- Efficiency : 90 dB
- Practical for mid-size vented 2-way systems using dual voice coil filtering



### DRAWING



### MEASUREMENTS



### SPECIFICATIONS

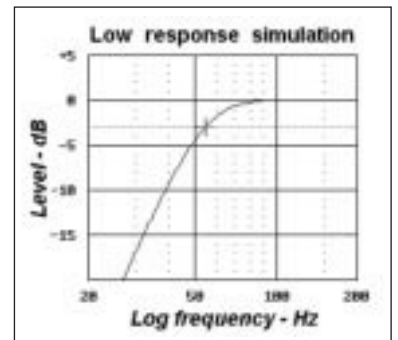
Nominal power handling	75	W
Program power handling	100	W
Sensitivity	90	dB (2.8W/1m)
Cone	Polyglass	
Surround	Rubber	
Nominal impedance	2 x 8	$\Omega$
DC resistance	2 x 4	$\Omega$
VC diameter	25	mm
VC height	15	mm
Former	Black Aluminium	
Layers	4	
Wire	Copper	
Inductance	2 x 0.76	mH
Xmax	4.5	mm
Magnet diameter x height	100 x 18	mm x mm
Magnet weight	564	g
Flux density	1.03	T
Gap height	6	mm
Net weight	1.6	kg

### PARAMETERS

Fs	37.7	Hz
Vas	37.9	l
Qts	0.31	
Qes	0.35	
Qms	2.40	
Re	4.1	$\Omega$
Sd	162.9	cm <sup>2</sup>
Cas	270E-9	m <sup>2</sup> /N
Mas	66.1	kg/m <sup>4</sup>
Ras	6 524.9	$\Omega$ .ac
Cms	102E-5	m/N
Mms	17.5	g
Rms	1 731	g/s
Ces	362.1	$\mu$ F
Les	49.2	mH
Res	28.0	$\Omega$
Bl	7.0	N/A
SPL	89.5	dB/W/m

### SIMULATION

Ql:	7	$\Omega$
Rg:	0.3	
Qts (+Rg):	0.32	



Vb:	16	l
Fb:	47.0	Hz
F-3:	54.4	Hz